


ATV/SSV KIT - LinQ 16.6 US Gal (63 L) Low Profile Box

Product: **ATV / SSV**
 Project no: **487804037_rev1**
 Instruction Sheet P/N: **487804037**
 Revision no: **1**
 Revision date: **March, 2026**
 Item covered: **LinQ 16.6 US Gal (63 L) Low Profile Box**

The following symbols may be used in this document:

 **WARNING**


Indicates a hazardous situation which, if not avoided, could result in death or serious injury.

 **CAUTION:** Indicates a hazard situation which, if not avoided, could result in minor or moderate injury.

NOTICE Indicates an instruction which, if not followed, could severely damage vehicle components or other property.

 **WARNING**

- This kit is designed for specific applicable models only (authorized BRP dealers will confirm model(s)). It is not recommended for units other than the one (those) for which it was sold.
- Should removal of a locking device (e.g. lock tabs, self-locking fasteners, etc.) be required when undergoing disassembly/assembly, always replace with a new one.
- Torque wrench tightening specifications must strictly be adhered to.
- Unless otherwise specified, engine must be OFF when performing any operation on the vehicle.
- Always be aware of parts that can move, such as wheels, transmission components, etc.
- Always wear EYE PROTECTION AND APPROPRIATE GLOVES when using power tools.

 **WARNING**

Some important safety information and/or operating instructions dedicated to the end user might be included in this instruction sheet. Make sure to give the kit part number as well as the instruction sheet included with this kit to the customer. Verify that the customer has access to all the information required for proper use of the accessory.

NOTE: USE TIGHTENING TORQUES IN THE FOLLOWING TABLE IF NOT OTHERWISE SPECIFIED.



	GRADE			
	5.8	8.8	10.9	12.9
M4	1.8 ± 0.2 N•m (16 ± 2 lbf•in)	2.8 ± 0.2 N•m (25 ± 2 lbf•in)	3.8 ± 0.2 N•m (34 ± 2 lbf•in)	4.5 ± 0.5 N•m (40 ± 4 lbf•in)
M5	3.3 ± 0.2 N•m (29 ± 2 lbf•in)	5 ± 0.5 N•m (44 ± 4 lbf•in)	7.8 ± 0.7 N•m (69 ± 6 lbf•in)	9 ± 1 N•m (80 ± 9 lbf•in)
M6	7.5 ± 1 N•m (66 ± 9 lbf•in)	10 ± 2 N•m (89 ± 18 lbf•in)	12.8 ± 2.2 N•m (113 ± 19 lbf•in)	16 ± 2 N•m (142 ± 18 lbf•in)
M8	15.3 ± 1.7 N•m (135 ± 15 lbf•in)	24.5 ± 3.5 N•m (18 ± 3 lbf•ft)	31.5 ± 3.5 N•m (23 ± 3 lbf•ft)	40 ± 5 N•m (30 ± 4 lbf•ft)
M10	29 ± 3 N•m (21 ± 2 lbf•ft)	48 ± 6 N•m (35 ± 4 lbf•ft)	61 ± 9 N•m (45 ± 7 lbf•ft)	73 ± 7 N•m (54 ± 5 lbf•ft)
M12	52 ± 6 N•m (38 ± 4 lbf•ft)	85 ± 10 N•m (63 ± 7 lbf•ft)	105 ± 15 N•m (77 ± 11 lbf•ft)	128 ± 17 N•m (94 ± 13 lbf•ft)

M14	85 ± 10 N•m (63 ± 7 lbf•ft)	135 ± 15 N•m (100 ± 11 lbf•ft)	170 ± 20 N•m (125 ± 15 lbf•ft)	200 ± 25 N•m (148 ± 18 lbf•ft)
M16	126 ± 14 N•m (93 ± 10 lbf•ft)	205 ± 25 N•m (151 ± 18 lbf•ft)	255 ± 30 N•m (188 ± 22 lbf•ft)	305 ± 35 N•m (225 ± 26 lbf•ft)
M18	170 ± 20 N•m (125 ± 15 lbf•ft)	273 ± 32 N•m (201 ± 24 lbf•ft)	330 ± 25 N•m (243 ± 18 lbf•ft)	413 ± 47 N•m (305 ± 35 lbf•ft)

NOTE: The illustrations in this document show typical construction of the different assemblies and may not reproduce the full detail or exact shape of the parts; however, they represent parts that have the same or similar function.

Installation time is approximately **0.5** hours.

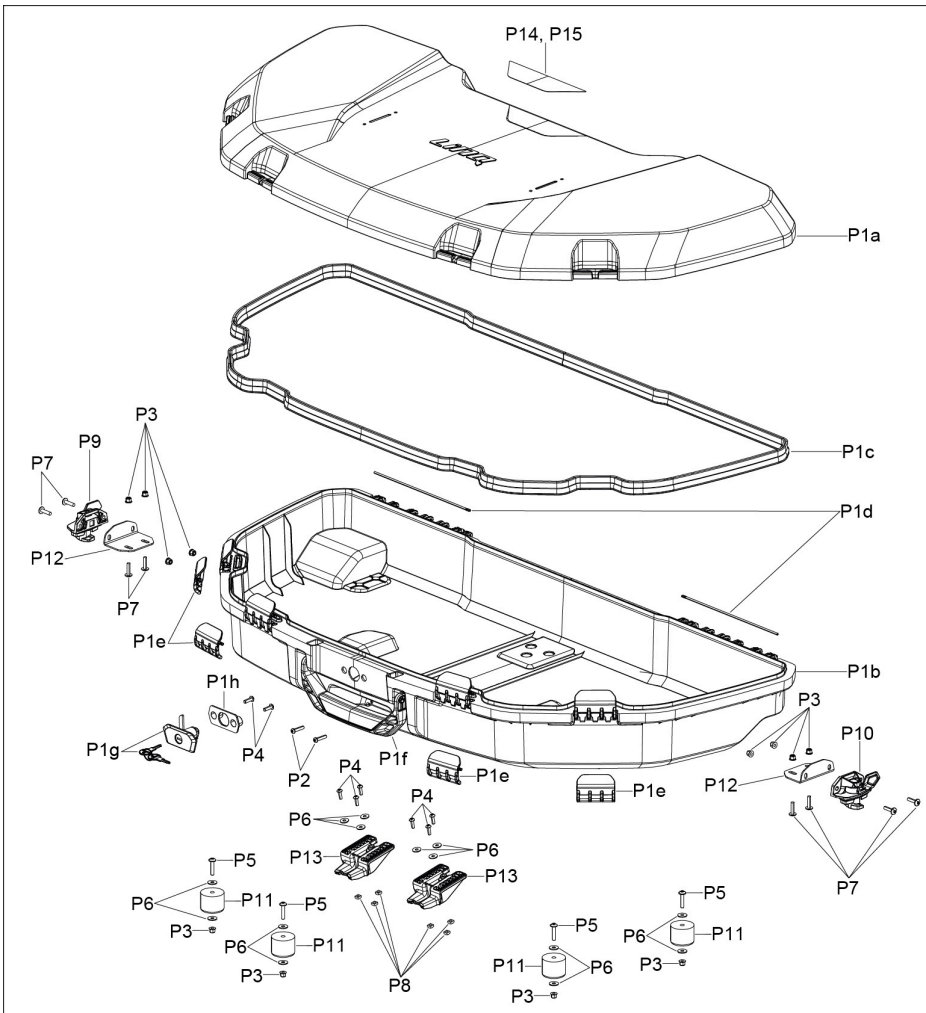
ICON LEGEND

ICON	INDICATES
	Parts to be discarded
	Parts kept for reinstallation

REQUIRED TOOLS

REQUIRED TOOL		USE
T1	Drill bit 6 mm (15/64 in)	Drilling specified holes for kit installation
T2	Drill bit 10 mm (13/32 in)	Drilling top holes for additional LinQ fasteners
T3	Torx screwdriver (T20)	Required for 16" SSV configuration only (PT.K50 X 20 Torx screw)
T4	Torx screwdriver (T25)	To install screws (250000578, 250000762, 250000792)
T5	8 mm wrench	To tighten M5 hexagonal flanged elastic nut (233251494)
T6	Torx screwdriver (T30)	To install screws (250000446) for installation of additional LinQ bases (860201806)
T7	16 mm socket wrench	To tighten inserts (511000822) for installation of additional LinQ bases (860201806)

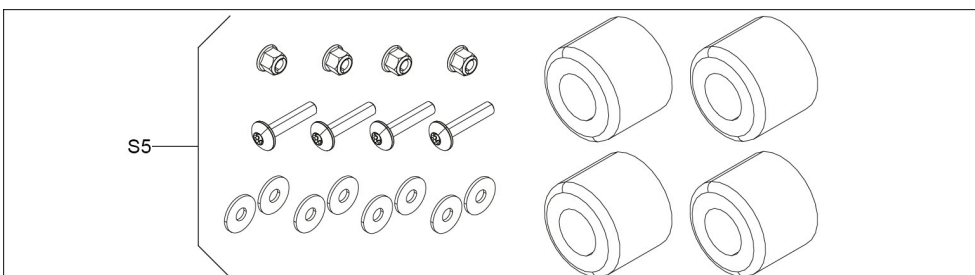
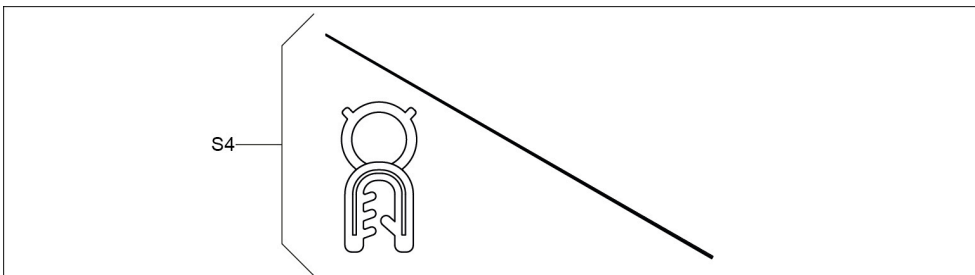
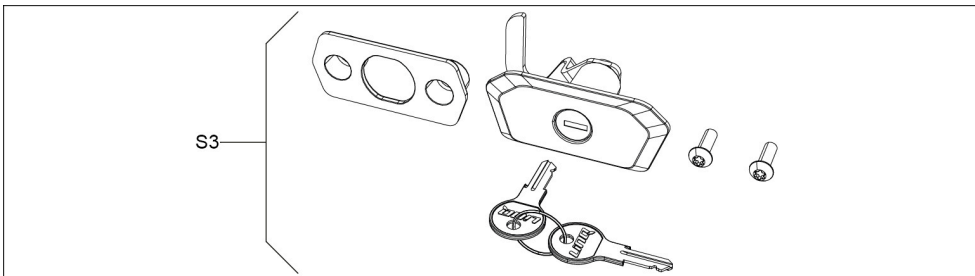
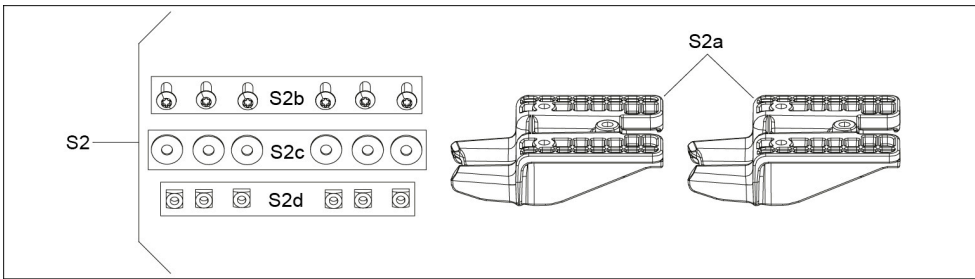
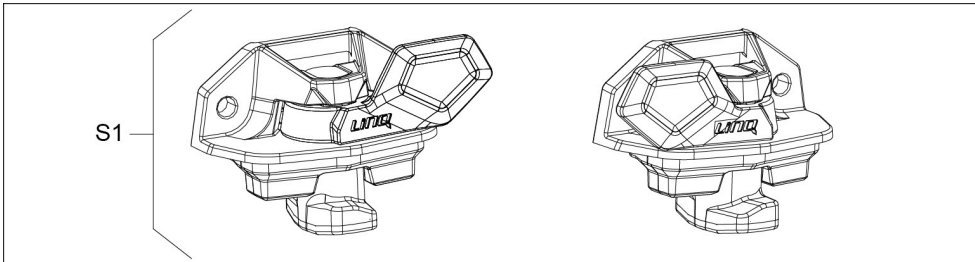
PARTS TO BE INSTALLED



ITEM	DESCRIPTION	PART NUMBER	QTY
P1	Low Profile Box Assembly (Includes P1a to P1h and 2 X P4)	Not available separately	1
P1a	Low Profile Box Cover	Not available separately	1
P1b	Low Profile Box Base	Not available separately	1
P1c	Cover Gasket (2768 mm)	293830237	1
P1d	Hinge Pin	Not available separately	2
P1e	Cover Latch	708201241	4
P1f	Handle	Not available separately	1
P1g	Lock Assembly with Keys	See Service Parts	1
P1h	Lock Backplate	See Service Parts	1
P2	K50 X 20 Plastite Torx Screw	250000760	2
P3	M5 Hexagonal Flanged Elastic Nut	233251494	12
P4	M5 X 16 Torx Screw	250000578	8
P5	M5 X 25 Torx Screw	250000762	4
P6	M5 Flat Washers	234052670	14
P7	M5 X 20 Torx Screw	250000792	8
P8	M5 Square Nut	232852411	6
P9	LH LinQ Fastener	See Service Parts	1
P10	RH LinQ Fastener	See Service Parts	1
P11	Rubber Stopper	See Service Parts	4
P12	LinQ Bracket	708301887	2

P13	Retaining Hook	705018888 See Service Parts	2
P14	Warning Label (English)	704909991	1
P15	Warning Label (Pictogram)	704909992	1

SERVICE PARTS



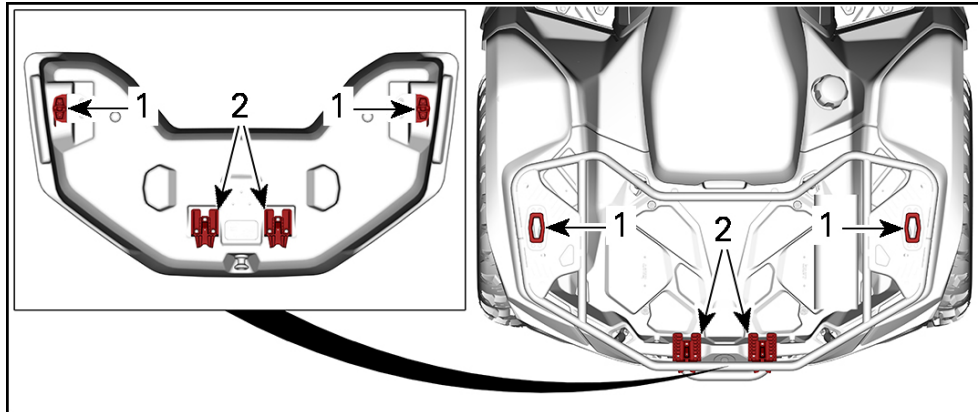
ITEM	DESCRIPTION	PART NUMBER	QTY
S1	LinQ Fastener Kit	715008044	1
S2	LinQ Retaining Hook Kit	715011062	1
S2a	Retaining Hook	705018888	2
S2b	M5 X 16 Self-Locking Torx Screw	250000578	6
S2c	M5 Stainless Flat Washer	234052670	6
S2d	M5 Square Nut	232852411	6
S3	Lock Assembly Kit	715009320	1
S4	Cover Gasket	293830237	1
S5	Rubber Stopper Kit	715008895	1

PARTS PREPARATION

The configuration of the LinQ Storage Box changes depending on the vehicle it will be used on. Refer to the right procedure depending on your vehicle:

- Parts preparation for 36" Luggage Rack (with 4 Anchor Points)
- Parts preparation for 36" Elevated Anchors (with 3 Anchor Points)
- Parts preparation for 16" Elevated Anchors (with 2 Anchor Points)

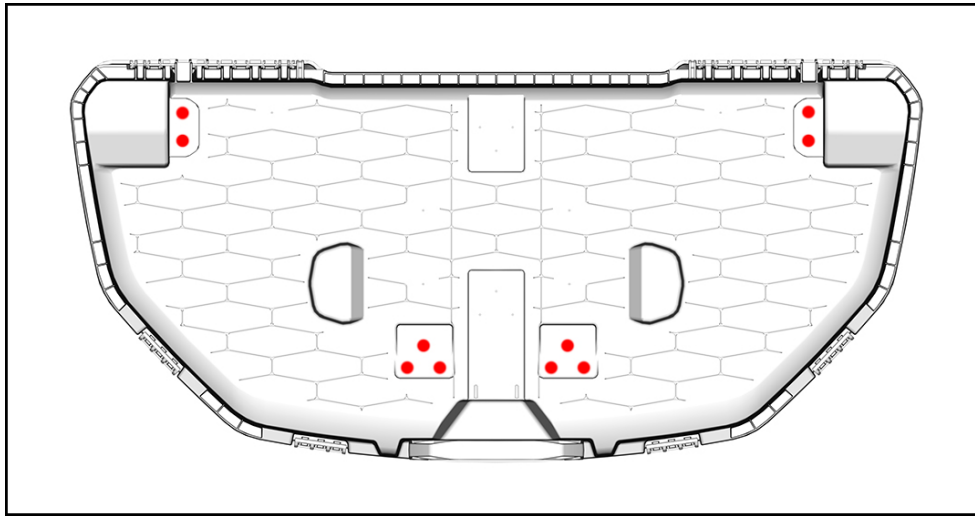
PARTS PREPARATION FOR 36" Luggage Racks (with 4 Anchor Points)



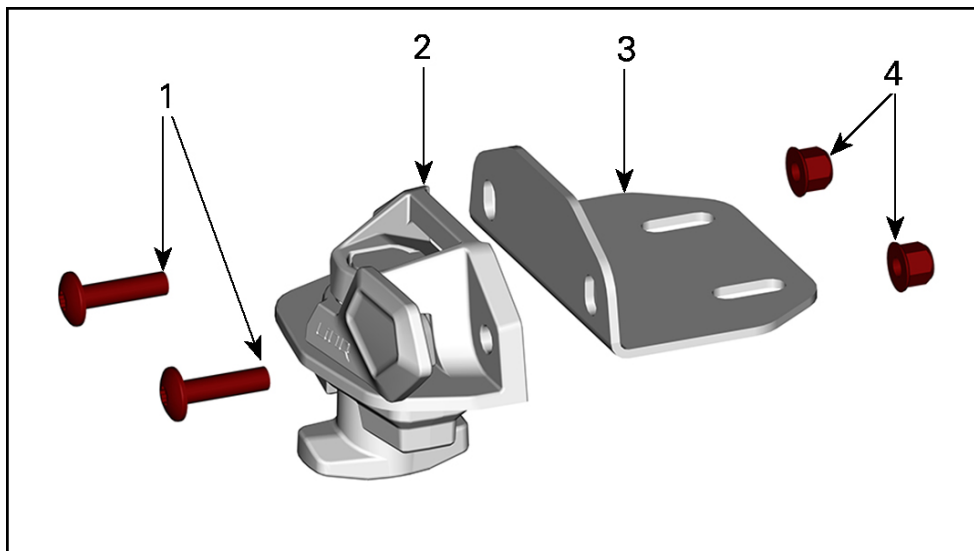
TYPICAL G3L 4 ANCHOR POINTS REAR RACK SET-UP

1. Lateral LinQ Anchor
2. Central LinQ Retaining Hook

1. Locate the 10 drilling locations shown in the image below. Drill the holes using the [T1] 6 mm (15/64 in) drill bit.

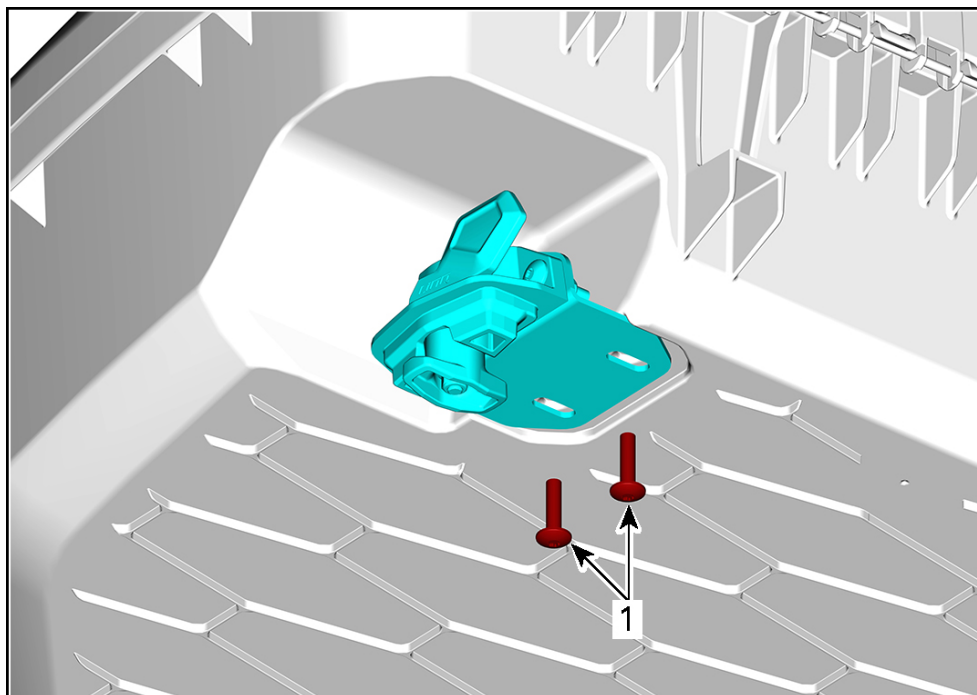


2. Assemble the LH and RH LinQ fasteners [P9] and [P10] to the LinQ brackets [P12] using four (4) M5 X 20 Torx screws [P7] and four (4) M5 hexagonal flanged elastic nuts [P3]. Keep the screws slightly loose to make the final adjustments on the vehicle easier.

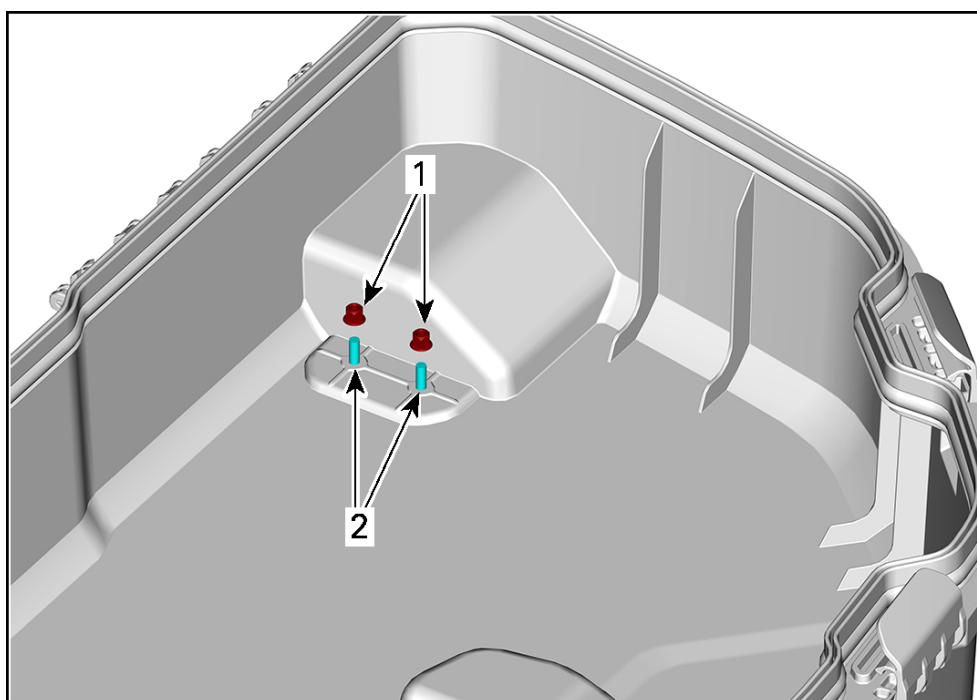


1. M5 X 20 Torx Screw [P7]
2. RH Linq Fastener [10]
3. Adjustable Linq Bracket [P12]
4. M5 Hexagonal Flanged Elastic Nut [P3]

3. Install the assembled LH and RH LinQ fasteners on the previously drilled holes and secure using four (4) M5 X 20 Torx screws [P7] and four (4) M5 hexagonal flanged elastic nuts [P3]. Make sure the LinQ lever is pointing towards the back of the box. Keep the screws slightly loose to make the final adjustments on the vehicle easier.

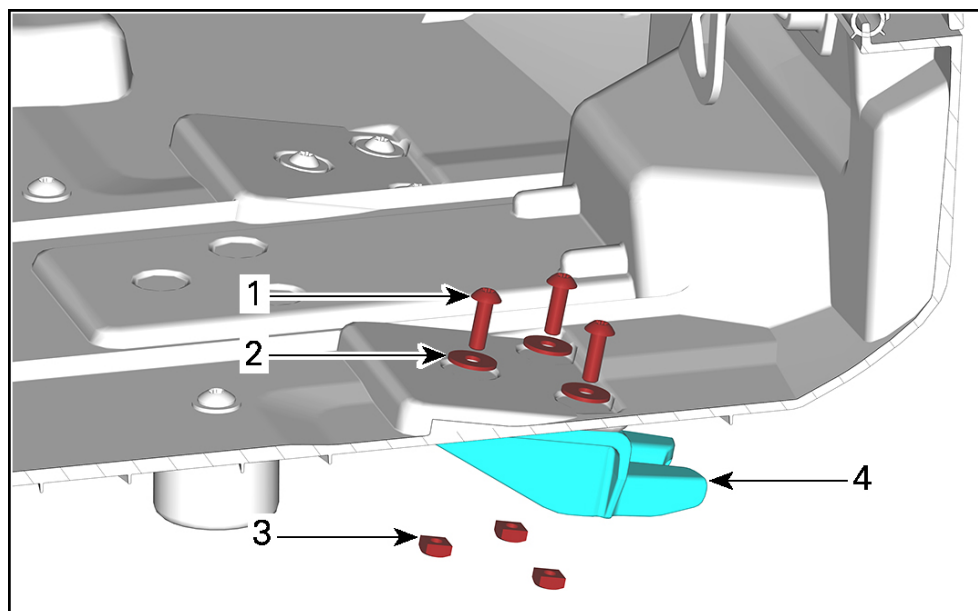


1. M5 X 20 Torx Screw [P7]



1. M5 Hexagonal Flanged Elastic Nut [P3]
2. M5 X 20 Torx Screw [P7]

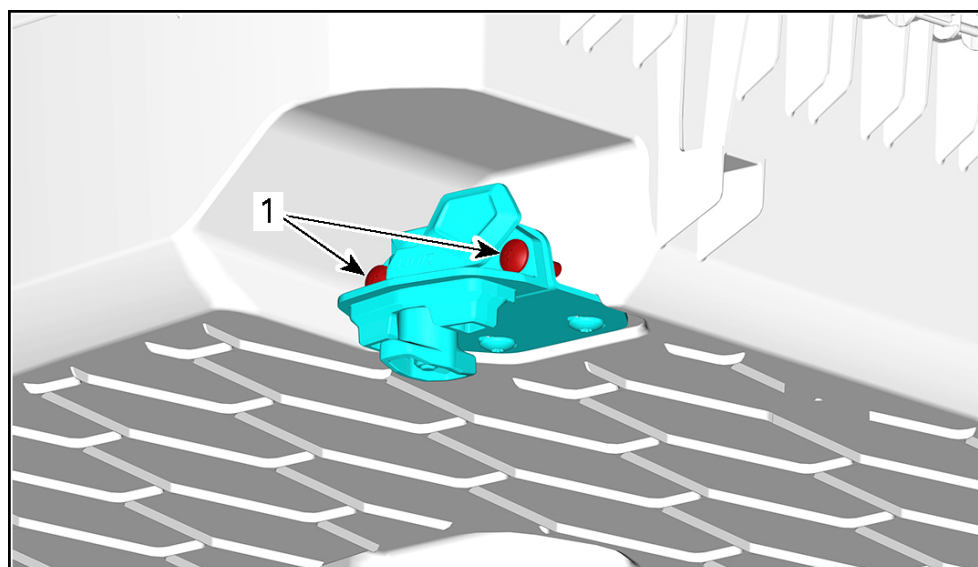
4. Install the two (2) retaining hooks [P13] on the previously drilled holes and secure using three (3) M5 X 16 Torx screws [P4], three (3) M5 flat washers [P6], and three (3) M5 square nuts [P8]. Tighten to specification.



1. M5 X 16 Torx Screw [P4],
2. M5 Flat Washer [P6]
3. M5 Square Nut [P8]
4. Retaining Hook [P13]

TIGHTENING TORQUE	
M5 X 16 Torx Screw [P4]	5 ± 0.5 N•m (44 ± 4 lbf•in)

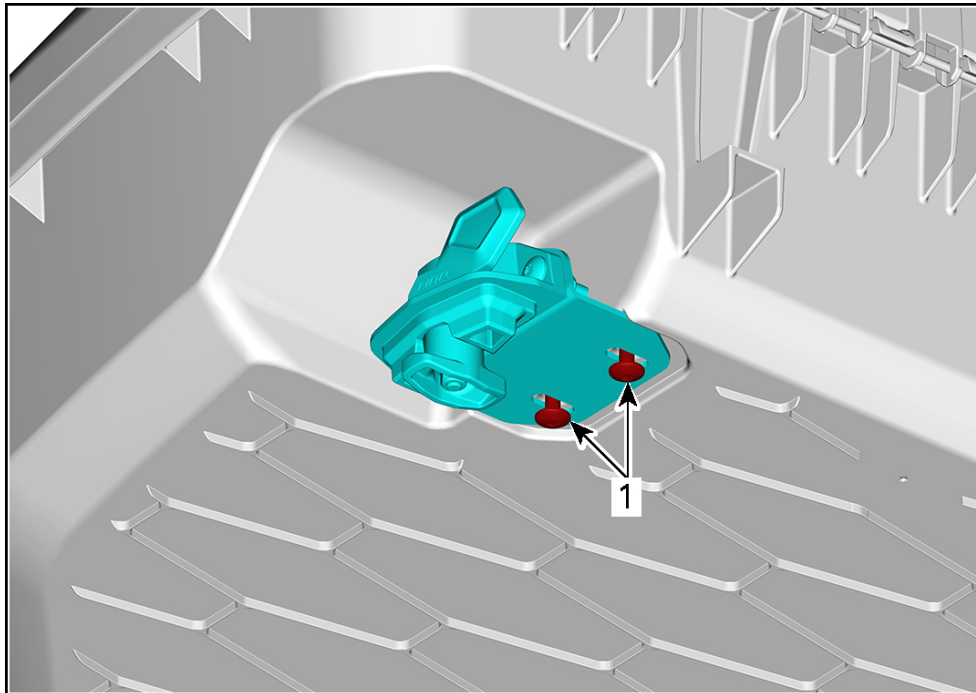
5. Install the box on the vehicle, tighten the M5 X 20 Torx screws [P7] to specification.



1. M5 X 20 Torx Screw [P7]

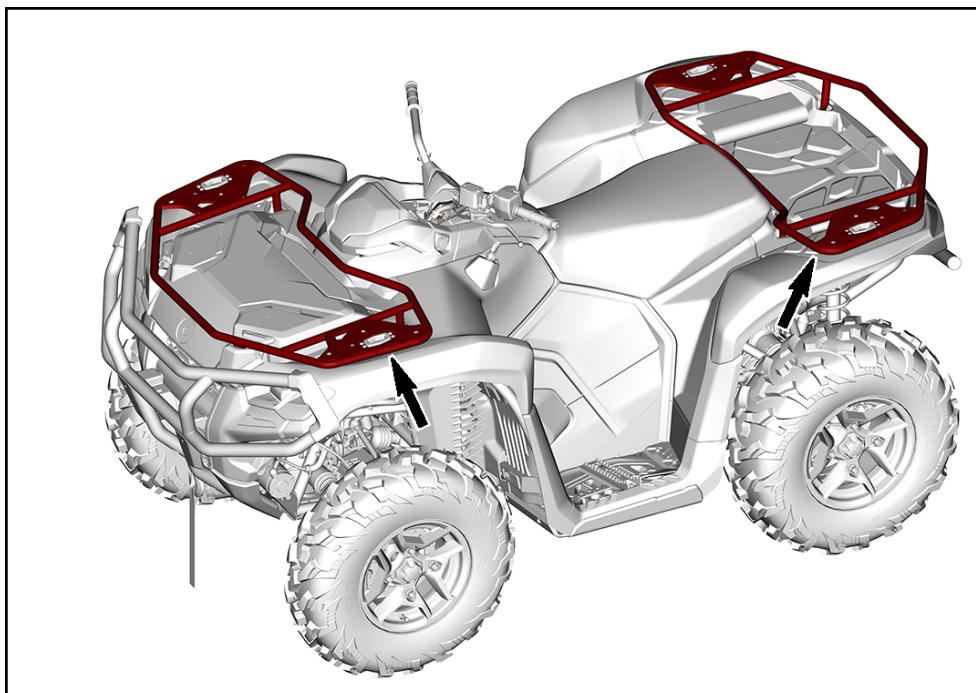
TIGHTENING TORQUE	
M5 X 20 Torx Screw [P7]	5 ± 0.5 N•m (44 ± 4 lbf•in)

6. Remove the box from the vehicle and tighten the M5 X 20 Torx screws [P7] to specification.



1. M5 X 20 Torx Screw [P7]

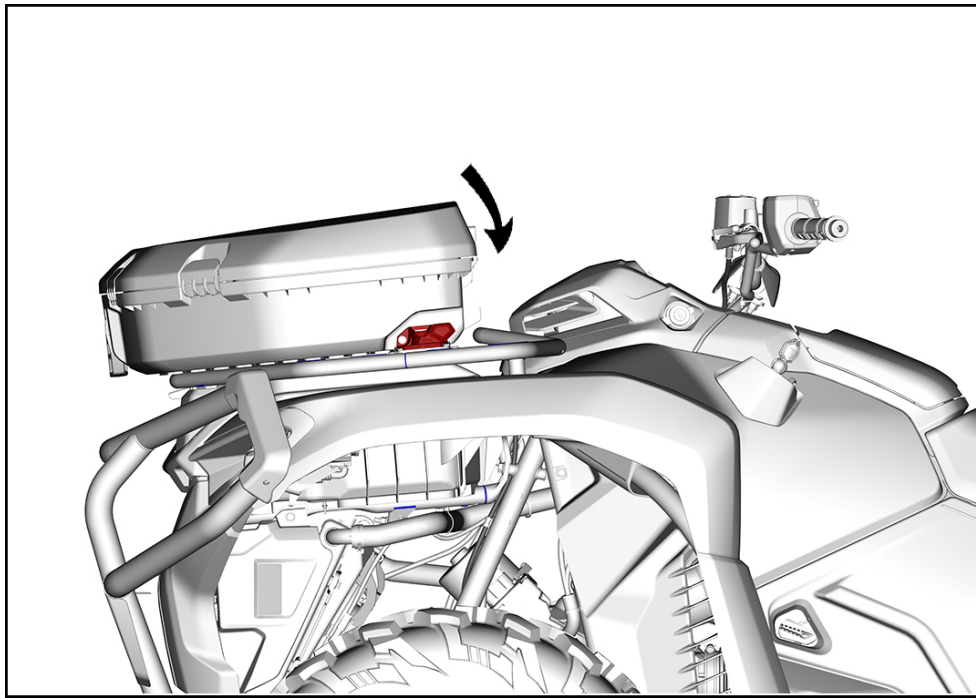
7. The box can be installed either on the front or rear rack.



8. Place the box with the retaining hooks under the rack as shown.

NOTE: Only front installation is shown in this section.

9. Pivot and lower the box on the vehicle rack. Make sure the retaining hooks are still in position.

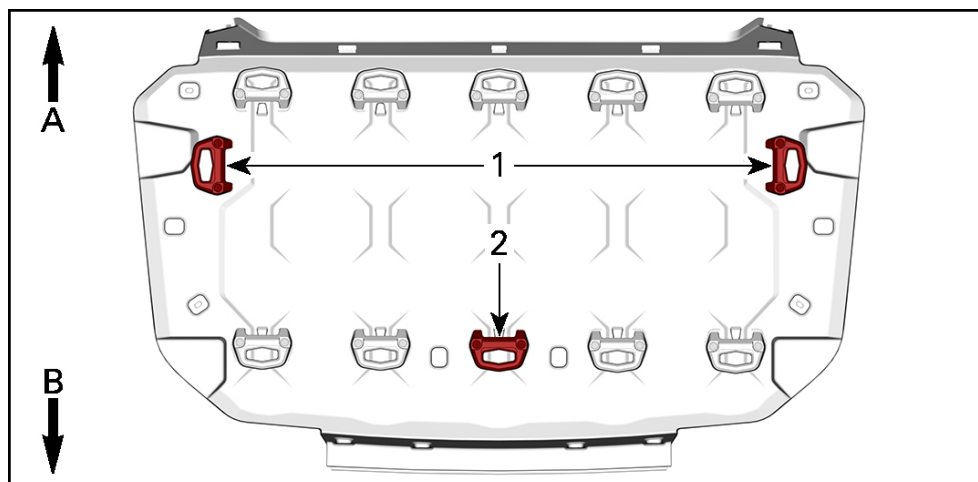


10. Secure the box by turning the latches a quarter turn.

11. "Rock" the box from side to side and back and forth to ensure it is properly secured.

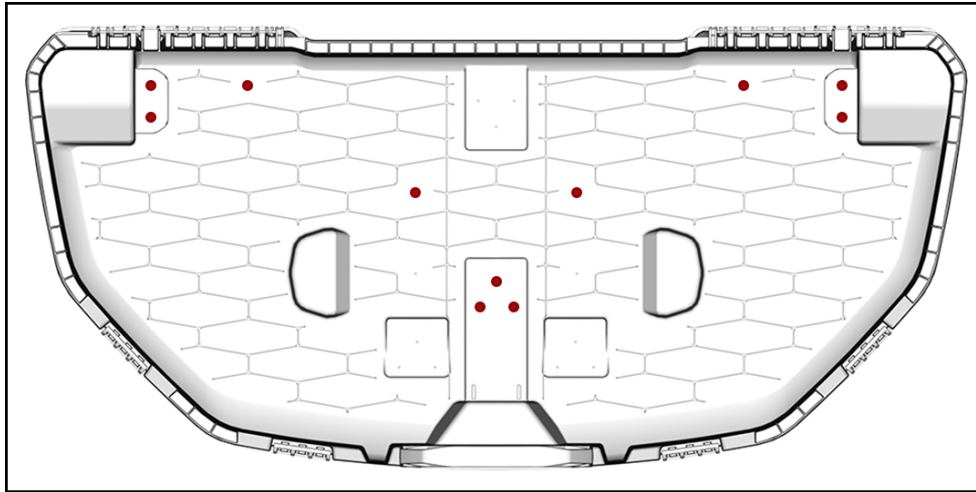
TIGHTENING TORQUE	
M5 X 20 Torx Screws [P7]	5 ± 0.5 N•m (44 ± 4 lbf•in)

PARTS PREPARATION FOR 36" Elevated Anchors (with 3 Anchor Points)



A = FRONT OF VEHICLE
 B = REAR OF VEHICLE
 1. Lateral LinQ Anchor
 2. Central LinQ Anchor

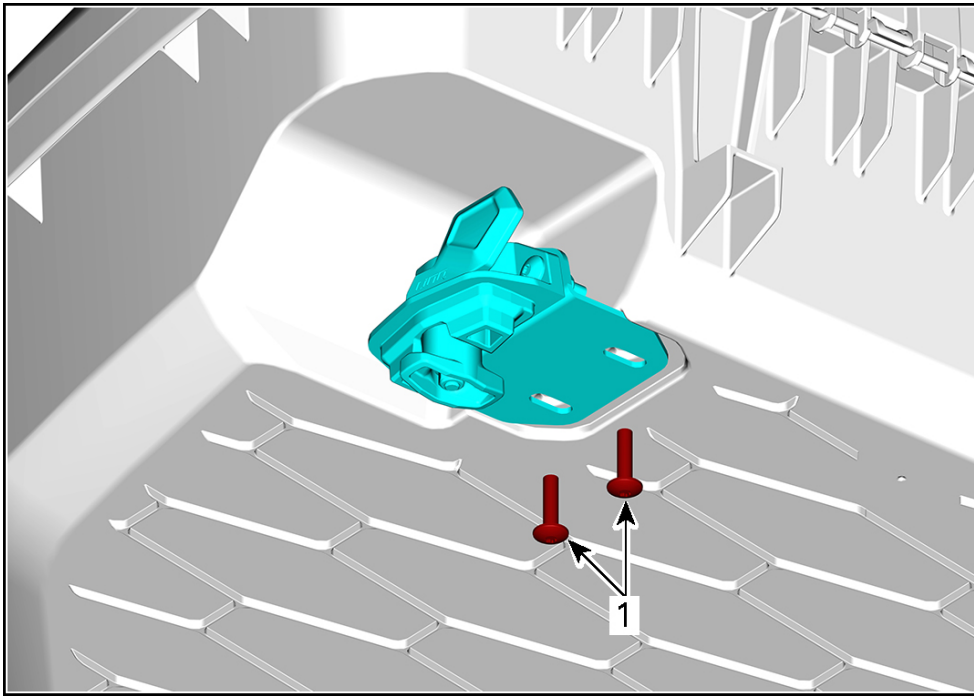
1. Locate the 11 drilling locations shown in the image below. Drill the holes with a 6 mm drill bit.



2. Assemble the LH and RH LinQ fasteners [P9] and [P10] to the LinQ brackets [P12] using four (4) M5 X 20 Torx screws [P7] and four (4) M5 hexagonal flanged elastic nuts [P3]. Keep the screws slightly loose to make the final adjustments on the vehicle easier.

1. M5 X 20 Torx Screw [P7]
2. RH Linq Fastener [10]
3. Adjustable Linq Bracket [P12]
4. M5 Hexagonal Flanged Elastic Nut [P3]

3. Install the assembled LH and RH LinQ fasteners on the previously drilled holes and secure using four (4) M5 X 20 Torx screws [P7] and four (4) M5 hexagonal flanged elastic nuts [P3]. Make sure the LinQ levers are pointing towards the back of the box. Keep the screws slightly loose to make the final adjustments on the vehicle easier.

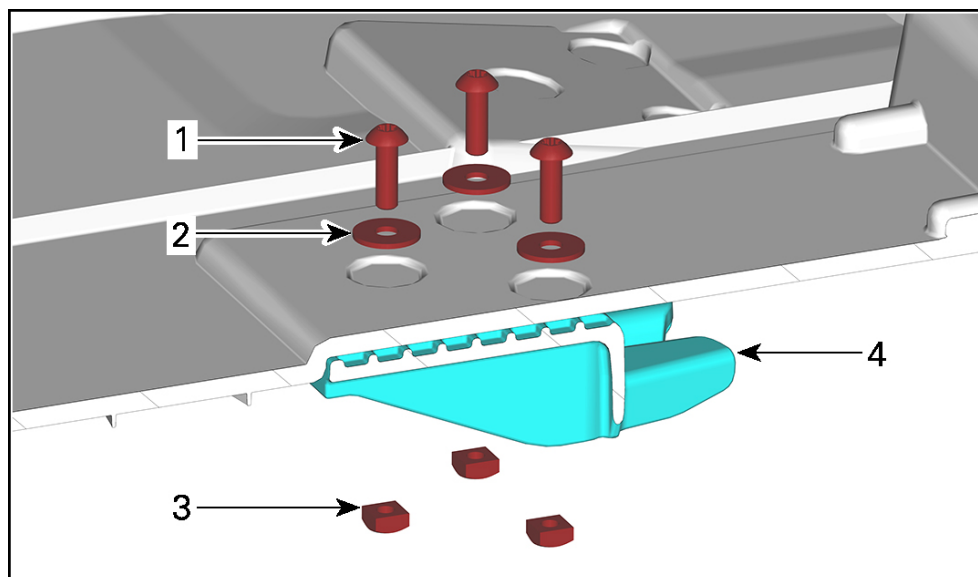


1. M5 X 20 Torx Screw [P7]

1. M5 Hexagonal Flanged Elastic Nut [P3]

2. M5 X 20 Torx Screw [P7]

4. Install one of the retaining hooks [P13] on the previously drilled holes and secure using three (3) M5 X 16 Torx screws [P4], three (3) M5 flat washers [P6], and three (3) M5 square nuts [P8]. Tighten to specification.



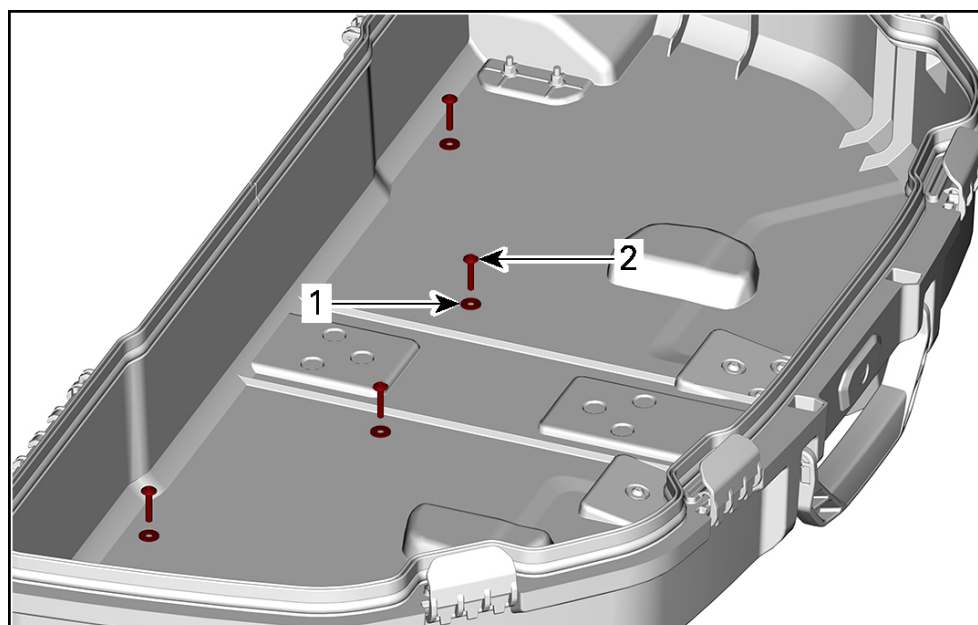
1. M5 X 16 Torx Screw [P4],
2. M5 Flat Washer [P6]
3. M5 Square Nut [P8]
4. Retaining Hook [P13]

TIGHTENING TORQUE

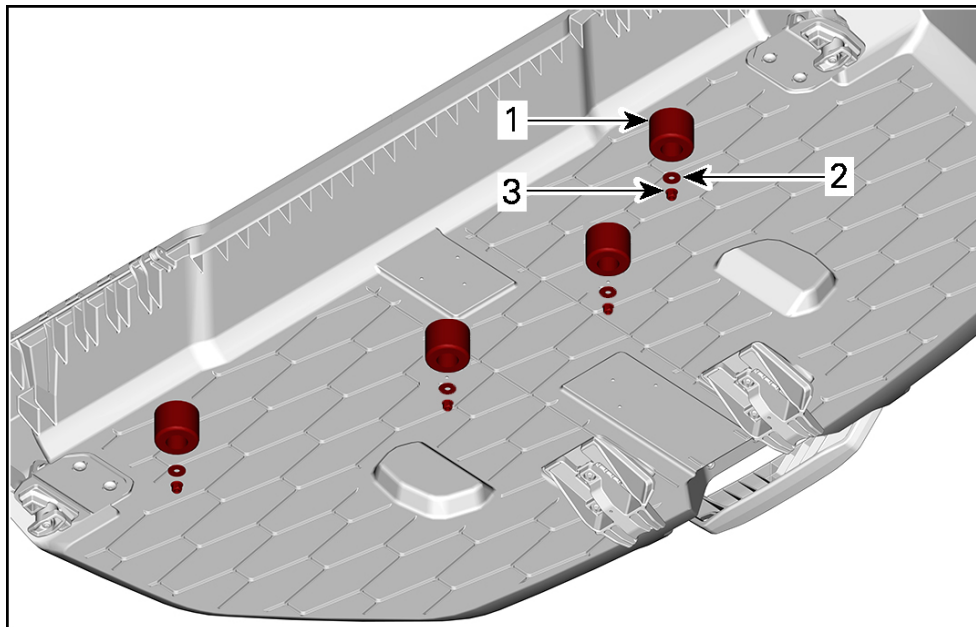
M5 X 16 Torx Screw [P4]

$5 \pm 0.5 \text{ N}\cdot\text{m}$ ($44 \pm 4 \text{ lbf}\cdot\text{in}$)

5. Install the rubber stoppers [P11] in the four (4) remaining holes and secure using four (4) M5 X 25 Torx screws [P5], four (4) M5 flat washers [P6], and four (4) M5 hexagonal flanged elastic nuts [P3]. Tighten to specification.



1. M5 Flat Washer [P6]
2. M5 X25 Torx Screw [P5]



1. Rubber Stopper [P11]
2. M5 Flat Washer [P6]
3. M5 Hexagonal Flanged Elastic Nut [P3]

TIGHTENING TORQUE	
M5 X 25 Torx Screw [P5]	$5 \pm 0.5 \text{ N}\cdot\text{m}$ ($44 \pm 4 \text{ lbf}\cdot\text{in}$)

6. Install the box on the vehicle, tighten the M5 X 20 Torx screws [P7] to specification.

1. M5 X 20 Torx Screw [P7]

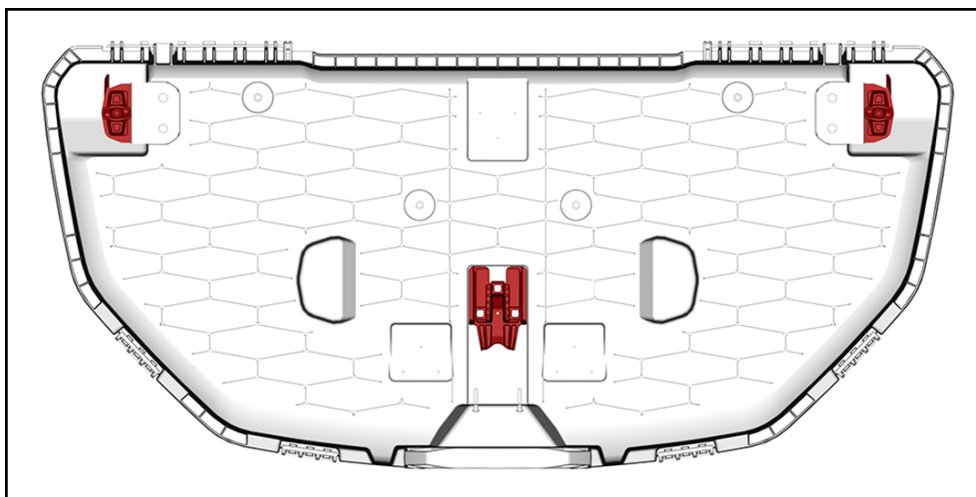
TIGHTENING TORQUE	
M5 X 20 Torx Screw [P7]	$5 \pm 0.5 \text{ N}\cdot\text{m}$ ($44 \pm 4 \text{ lbf}\cdot\text{in}$)

7. Remove the box from the vehicle and tighten the M5 X 20 Torx screws [P7] to specification.

1. M5 X 20 Torx Screw [P7]

TIGHTENING TORQUE	
M5 X 20 Torx Screw [P7]	$5 \pm 0.5 \text{ N}\cdot\text{m}$ ($44 \pm 4 \text{ lbf}\cdot\text{in}$)

8. The following is an example of the LinQ fasteners and retaining hook layout for the 36" Elevated Anchors (with 3 Anchor Points).



PARTS PREPARATION FOR 16" Elevated Anchors (with 2 Anchor Points)

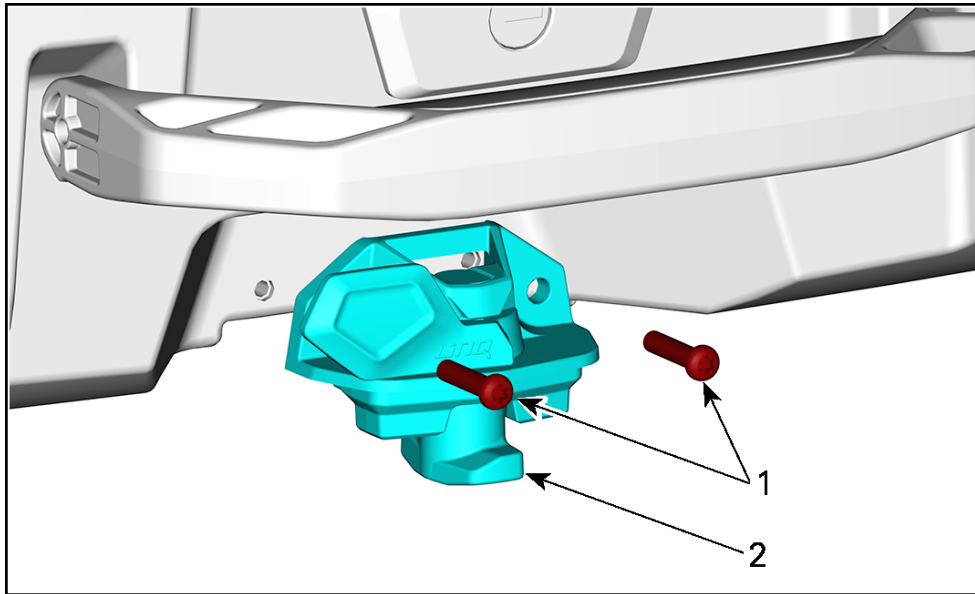
A = FRONT OF VEHICLE

B = REAR OF VEHICLE

1. Central LinQ Anchor

1. Locate the 7 drilling locations shown in the image below. Drill the holes with a 6 mm drill bit.

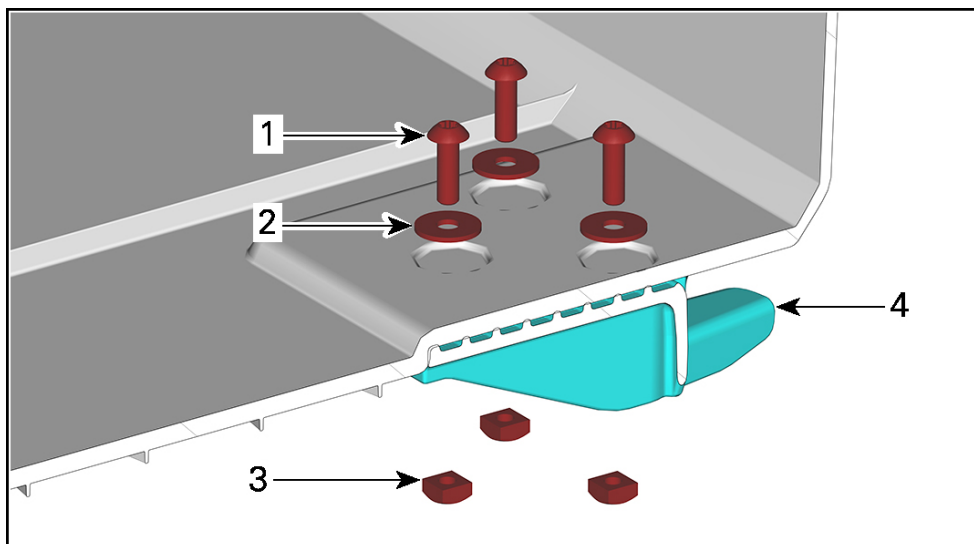
2. Install the LH LinQ fastener [P9] at the front of the box, right under the carrying handle and secure using two (2) K50 X 20 Plastite Torx screws [P2]. Tighten to specification.



1. K50 X 20 Plastite Torx Screw [P2]
2. LH LinQ Fastener [P9]

TIGHTENING TORQUE	
K50 X 20 Plastite Torx Screw [P2]	1.35 ± 0.15 N•m (12 ± 1 lbf•in)

3. Install one of the retaining hooks [P13] on the previously drilled holes and secure using three (3) M5 X 16 Torx Screws [P4], three (3) M5 Flat Washers [P6], and three (3) M5 Square Nuts [P8]. Tighten to specification.



1. M5 X 16 Torx Screw [P4],
2. M5 Flat Washer [P6]
3. M5 Square Nut [P8]
4. Retaining Hook [P13]

TIGHTENING TORQUE	
M5 X 16 Torx Screw [P4]	5 ± 0.5 N•m (44 ± 4 lbf•in)

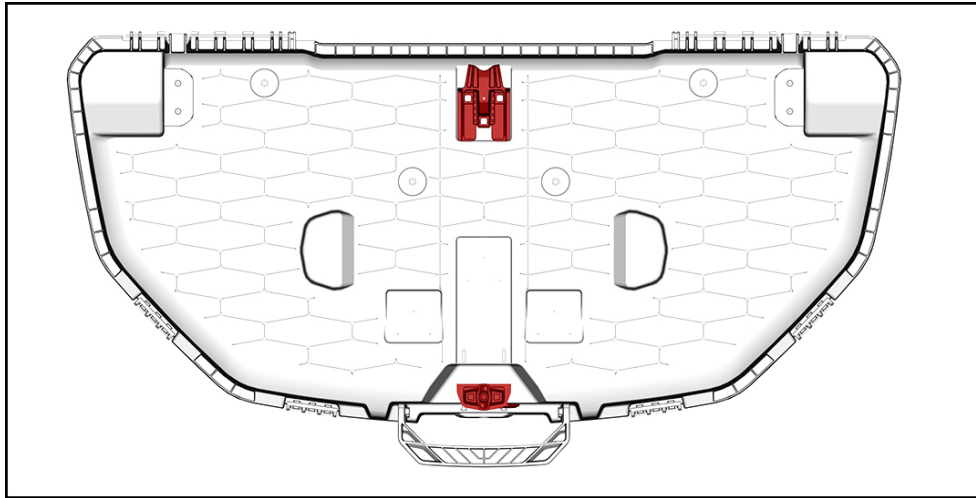
4. Install the rubber stoppers [P11] in the four (4) remaining holes and secure using four (4) M5 X 25 Torx screws [P5], four (4) M5 flat washers [P6], and four (4) M5 hexagonal flanged elastic nuts [P3]. Tighten to specification.

1. *M5 Flat Washers [P6]*
2. *M5 X25 Torx Screw [P5]*

1. *Rubber Stopper [P11]*
2. *M5 Flat Washer [P6]*
3. *M5 Hexagonal Flanged Elastic Nut [P3]*

TIGHTENING TORQUE	
M5 X 25 Torx Screw [P5]	5 ± 0.5 N•m (44 ± 4 lbf•in)

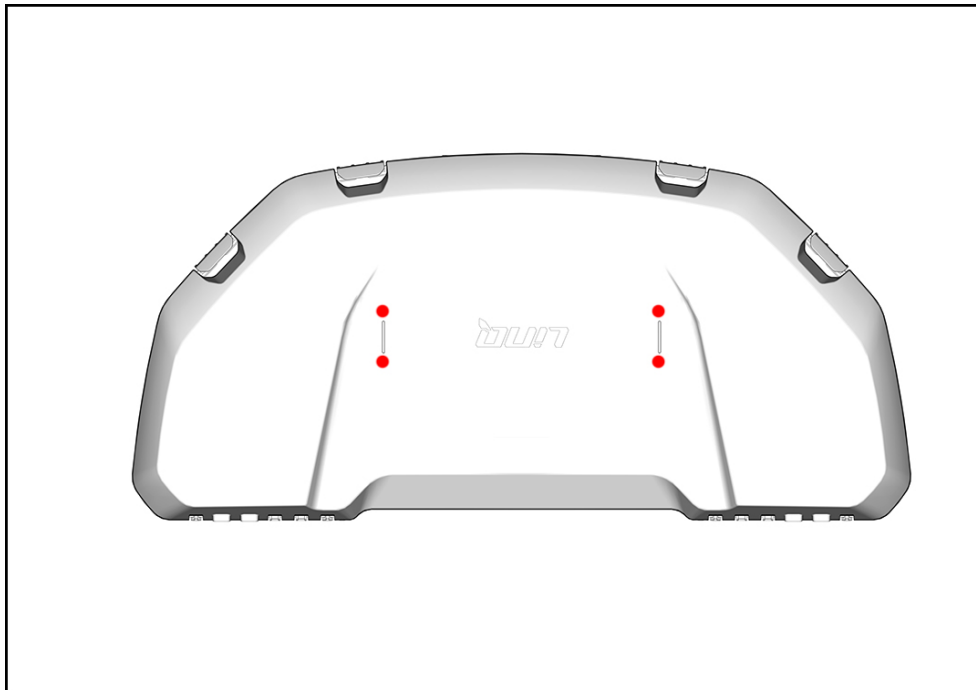
5. The following is an example of the LinQ fasteners and retaining hook layout for the 16" elevated anchors.



INSTALLATION INSTRUCTIONS FOR ADDITIONAL LINQ BASES (860201806)

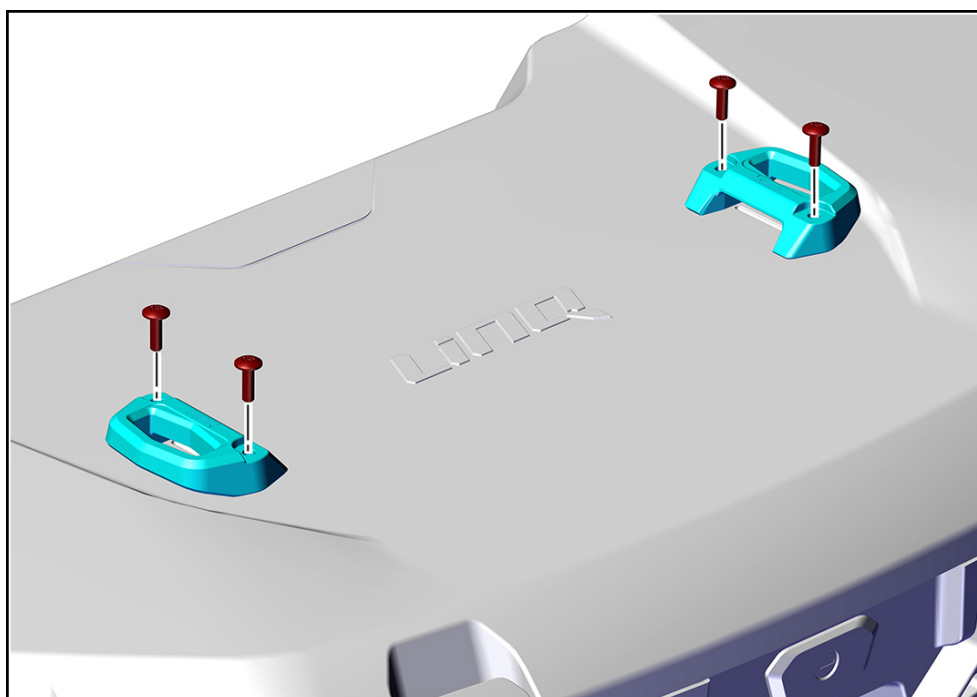
NOTE: These instructions are only applicable if you have the LinQ Cargo Attachment System kit.

1. Locate the four (4) drilling indents on top of the low profile box. Drill the holes with a 10 mm drill bit.



2. Push the inserts (P/N: 511000822) into the previously drilled holes from the inside of the box.

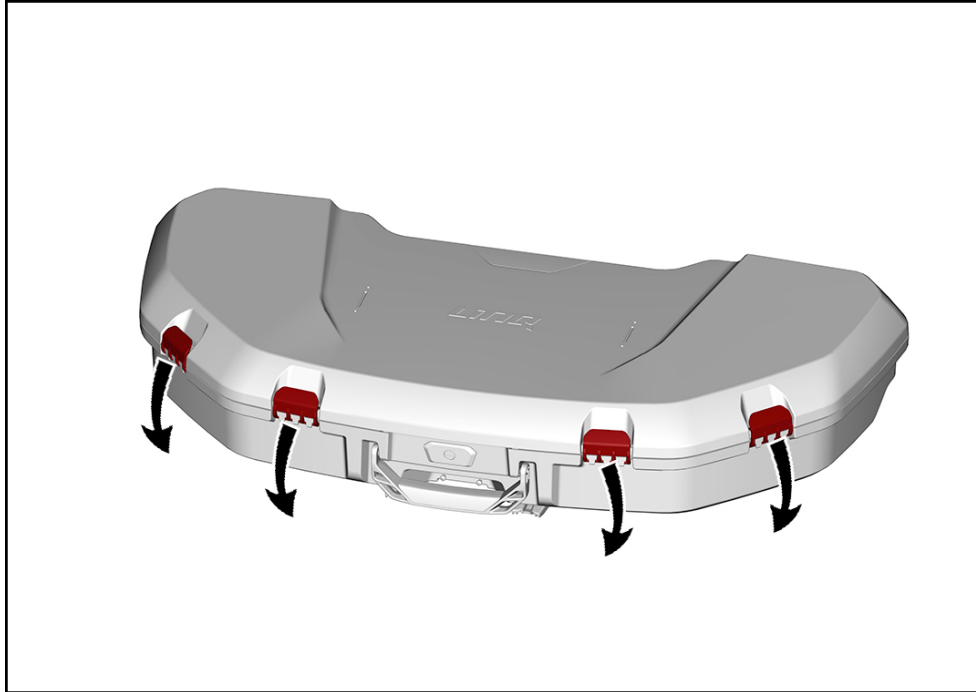
- Place the LinQ bases (P/N: 511001313) on the inserts (P/N: 511000822). Put the screws (P/N: 250000446) in and tighten to specification.



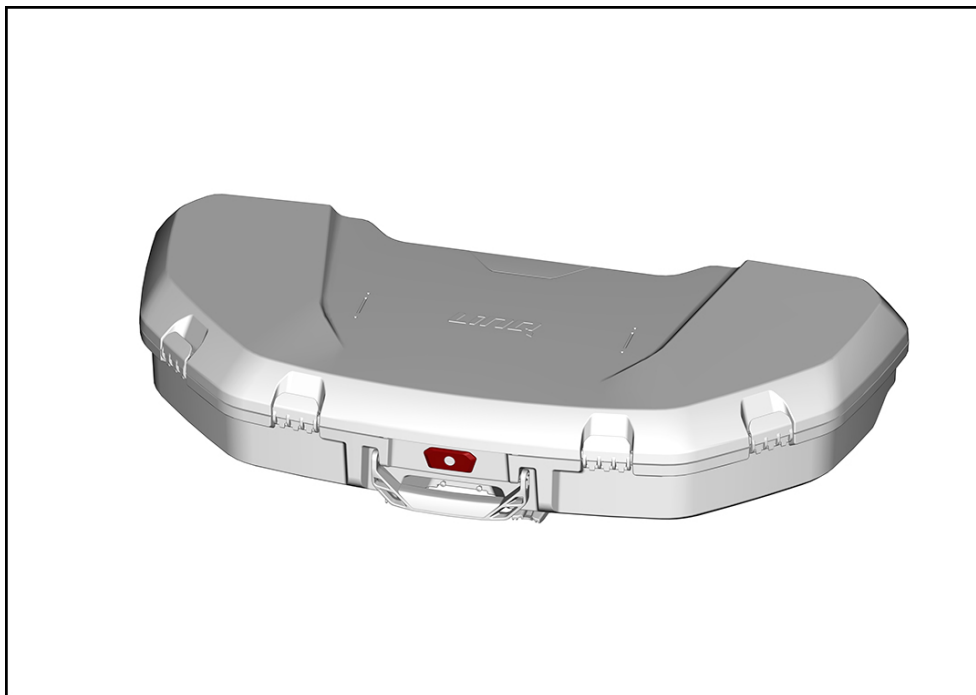
TIGHTENING TORQUE	
LinQ Base Screw	5.5 ± 0.5 N•m (49 ± 4 lbf•in)

HOW TO USE

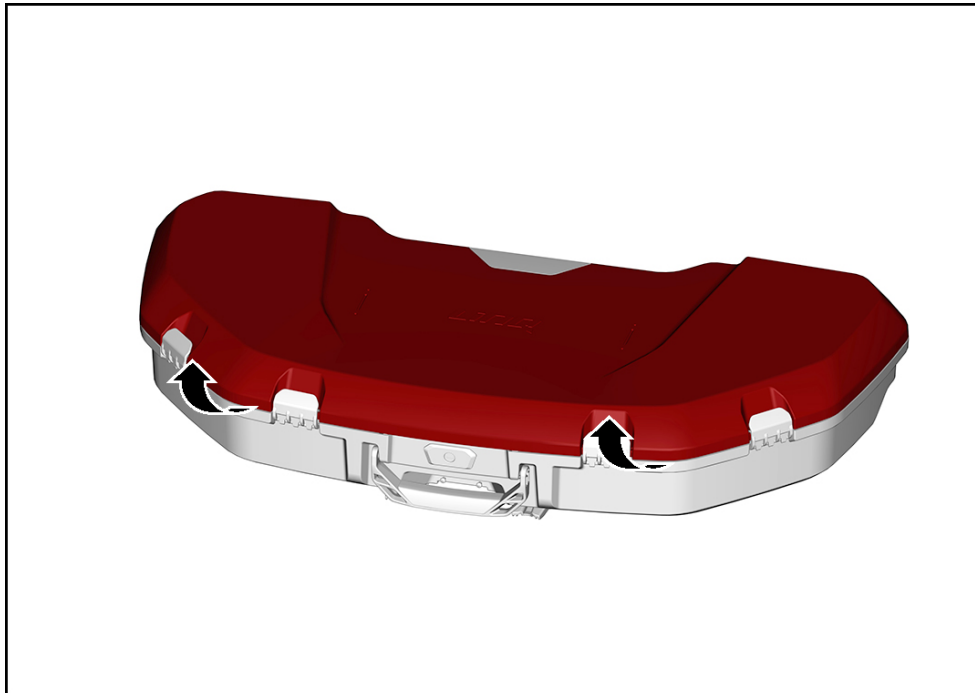
1. Pull the latches down.



2. Make sure the box is unlocked.



3. Lift the lid.



SAFETY LABEL

This product comes with the following label containing important safety information.

The label should be considered a permanent part of this product. If the label comes off or becomes hard to read, please contact an authorized dealer for **FREE OF CHARGE** replacement.

Any person who intends to use this product should read and understand the information contained on the label before doing so.

Clean surface using isopropyl alcohol and dry thoroughly before installing the label.

•


WARNING

- NEVER exceed the cargo and vehicle's load capacities. Max load of this cargo box is 27 kg (59 lb) including the max load on the lid 7kg (15 lb).
- For maximum load specifications, refer to labels on the vehicle or the operator's guide.
- Use LinQ anchors on this lid to secure additional accessories. Refer to the instruction sheet for proper installation.
- Ensure that the load does not interfere with the operator's vision.
- NEVER carry flammables or dangerous liquids inside the cargo box. If ignited, this can lead to an explosion and cause serious injury or death.

WARNING LABEL (ENGLISH)

A Pictogram warning label is available in the kit and must be installed in accordance with Market Regulation. To install the Pictogram safety label, do the following:

- Clean the entire original label surface using isopropyl alcohol and dry thoroughly.
- Carefully install the Pictogram safety label OVER the original label.

 WARNING
<ul style="list-style-type: none"> • NEVER exceed the cargo and vehicle's load capacities. Max load of this cargo box is 27 kg (59 lb) including the max load on the lid 7kg (15 lb). • For maximum load specifications, refer to labels on the vehicle or the operator's guide. • Use LinQ anchors on this lid to secure additional accessories. Refer to the instruction sheet for proper installation. • Ensure that the load does not interfere with the operator's vision. • NEVER carry flammables or dangerous liquids inside the cargo box. If ignited, this can lead to an explosion and cause serious injury or death.



WARNING LABEL (PICTOGRAM)



SAFETY LABEL LOCATION