


SKI-DOO KIT - LinQ WORKING LIGHT


Product: **Ski-Doo**
 Project no: **487803105**
 Instruction Sheet P/N: **487803105**
 Revision no:
 Revision date:
 Item covered: **LinQ WORKING LIGHT**

The following symbols may be used in this document:


 **WARNING**

Indicates a hazardous situation which, if not avoided, could result in death or serious injury.

 **CAUTION:** Indicates a hazard situation which, if not avoided, could result in minor or moderate injury.
NOTICE Indicates an instruction which, if not followed, could severely damage vehicle components or other property.

 **WARNING**

- This kit is designed for specific applicable models only (authorized BRP dealers will confirm model(s)). It is not recommended for units other than the one (those) for which it was sold.
- Should removal of a locking device (e.g. lock tabs, self-locking fasteners, etc.) be required when undergoing disassembly/ assembly, always replace with a new one.
- Torque wrench tightening specifications must strictly be adhered to.
- Unless otherwise specified, engine must be OFF when performing any operation on the vehicle.
- Always be aware of parts that can move, such as wheels, transmission components, etc.

 **WARNING**

Some important safety information and/or operating instructions dedicated to the end user might be included in this instruction sheet. Make sure to give the kit part number as well as the instruction sheet included with this kit to the customer. Verify that the customer has access to all the information required for proper use of the accessory.

NOTE: USE TIGHTENING TORQUES IN THE FOLLOWING TABLE IF NOT OTHERWISE SPECIFIED.

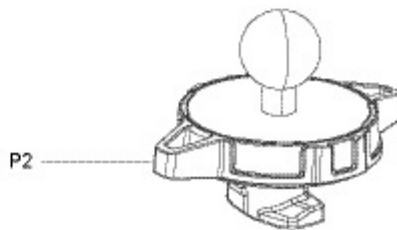
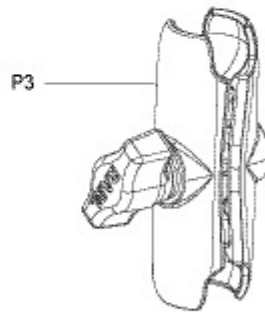
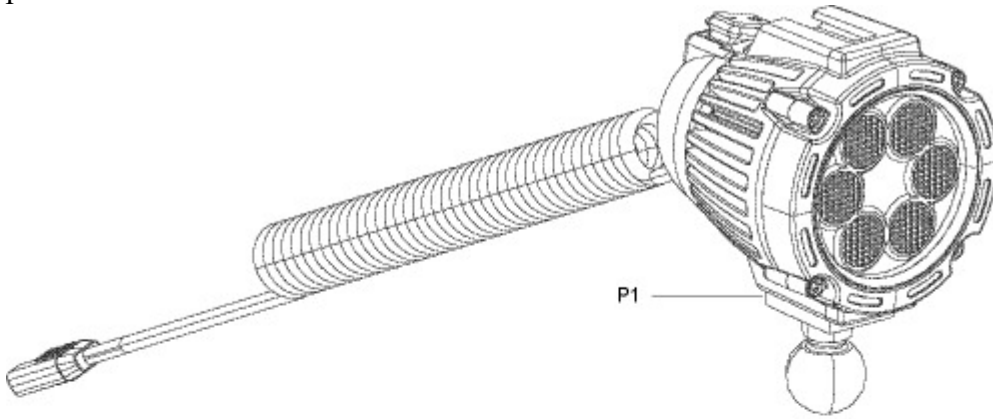
	GRADE			
	5.8	8.8	10.9	12.9
M4	1.8 ± 0.2 N•m (16 ± 2 lbf•in)	2.8 ± 0.2 N•m (25 ± 2 lbf•in)	3.8 ± 0.2 N•m (34 ± 2 lbf•in)	4.5 ± 0.5 N•m (40 ± 4 lbf•in)
M5	3.3 ± 0.2 N•m (29 ± 2 lbf•in)	5 ± 0.5 N•m (44 ± 4 lbf•in)	7.8 ± 0.7 N•m (69 ± 6 lbf•in)	9 ± 1 N•m (80 ± 9 lbf•in)
M6	7.5 ± 1 N•m (66 ± 9 lbf•in)	10 ± 2 N•m (89 ± 18 lbf•in)	12.8 ± 2.2 N•m (113 ± 19 lbf•in)	16 ± 2 N•m (142 ± 18 lbf•in)
M8	15.3 ± 1.7 N•m (135 ± 15 lbf•in)	24.5 ± 3.5 N•m (18 ± 3 lbf•ft)	31.5 ± 3.5 N•m (23 ± 3 lbf•ft)	40 ± 5 N•m (30 ± 4 lbf•ft)
M10	29 ± 3 N•m (21 ± 2 lbf•ft)	48 ± 6 N•m (35 ± 4 lbf•ft)	61 ± 9 N•m (45 ± 7 lbf•ft)	73 ± 7 N•m (54 ± 5 lbf•ft)
M12	52 ± 6 N•m (38 ± 4 lbf•ft)	85 ± 10 N•m (63 ± 7 lbf•ft)	105 ± 15 N•m (77 ± 11 lbf•ft)	128 ± 17 N•m (94 ± 13 lbf•ft)
M14	85 ± 10 N•m (63 ± 7 lbf•ft)	135 ± 15 N•m (100 ± 11 lbf•ft)	170 ± 20 N•m (125 ± 15 lbf•ft)	200 ± 25 N•m (148 ± 18 lbf•ft)

M16	126 ± 14 N•m (93 ± 10 lbf•ft)	205 ± 25 N•m (151 ± 18 lbf•ft)	255 ± 30 N•m (188 ± 22 lbf•ft)	305 ± 35 N•m (225 ± 26 lbf•ft)
M18	170 ± 20 N•m (125 ± 15 lbf•ft)	273 ± 32 N•m (201 ± 24 lbf•ft)	330 ± 25 N•m (243 ± 18 lbf•ft)	413 ± 47 N•m (305 ± 35 lbf•ft)

The illustrations in this document show typical construction of the different assemblies and may not reproduce the full detail or exact shape of the parts; however, they represent parts that have the same or similar function.

Installation time is approximately 0.1 hour.

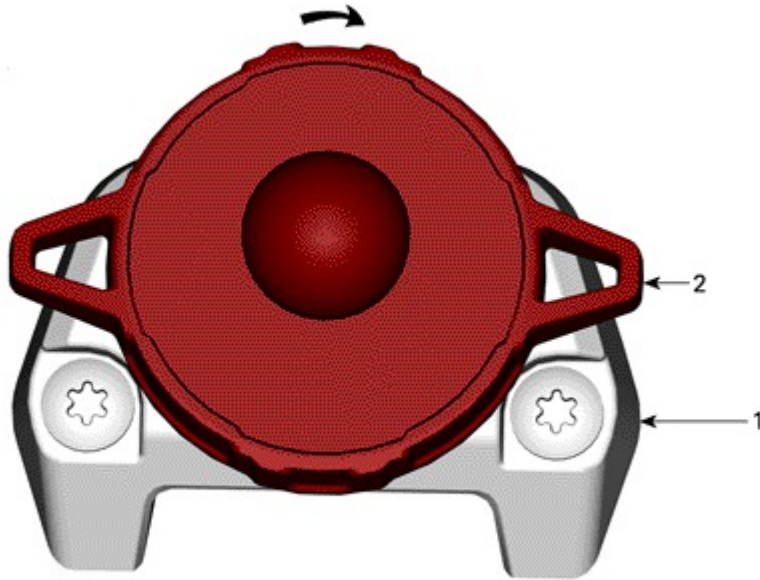
parts to be installed



ITEM	DESCRIPTION	Part number	QTY
P1	LED Light	Not available separately	1
P2	Ball mount	Not available separately	1
P3	Arm	Not available separately	1
Service parts			
	DESCRIPTION	Part number	QTY
	LinQ base	511001363	1

instructions

NOTICE Before each use, make sure LinQ is locked. The light must be turned clockwise up to the end stop.



1. LinQ base

2. Ball mount [P2]

NOTICE Before each use, always make sure that the knob of arm is properly tightened before riding.

NOTICE Before each use, always make sure that the coiled wire is secure by rolling it up around the light to prevent the wire to grab into a moving part.

NOTICE Refer to the local regulations on the use of lights on a moving vehicle.

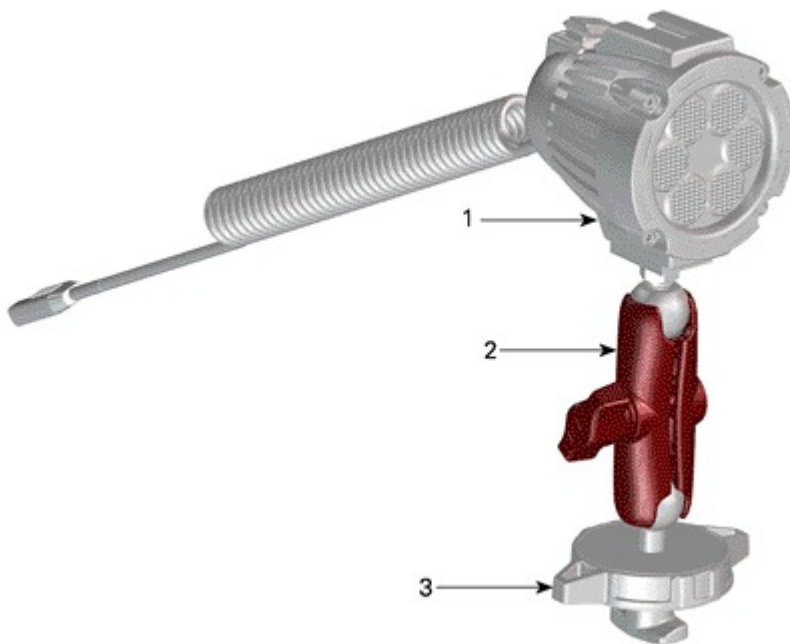
Part Installation

NOTICE Before installation, make sure that the surfaces of the LinQ base and any surface with which they will be in contact have no snow, ice or any type of debris.

NOTE: For models without multi-mount plate, this kit requires a 12-Volts Plug for LinQ Multi-Mount Plate Kit (P/N 860202069).

NOTE: For models with multi-mount plate, this kit requires a 12V Outlet Kit (P/N 860201888).

1. Assemble LED light [P1] with arm [P3] and ball mount [P2]. Do not fully tighten the knob of arm.

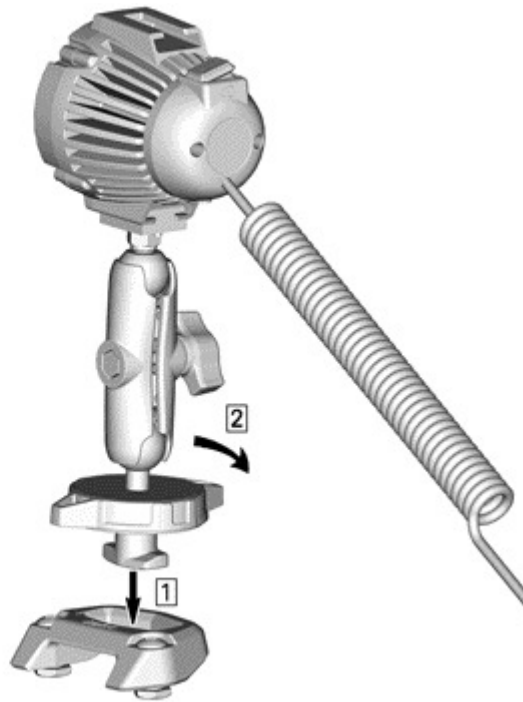


1. LED Light [P1]

2. Arm [P3]

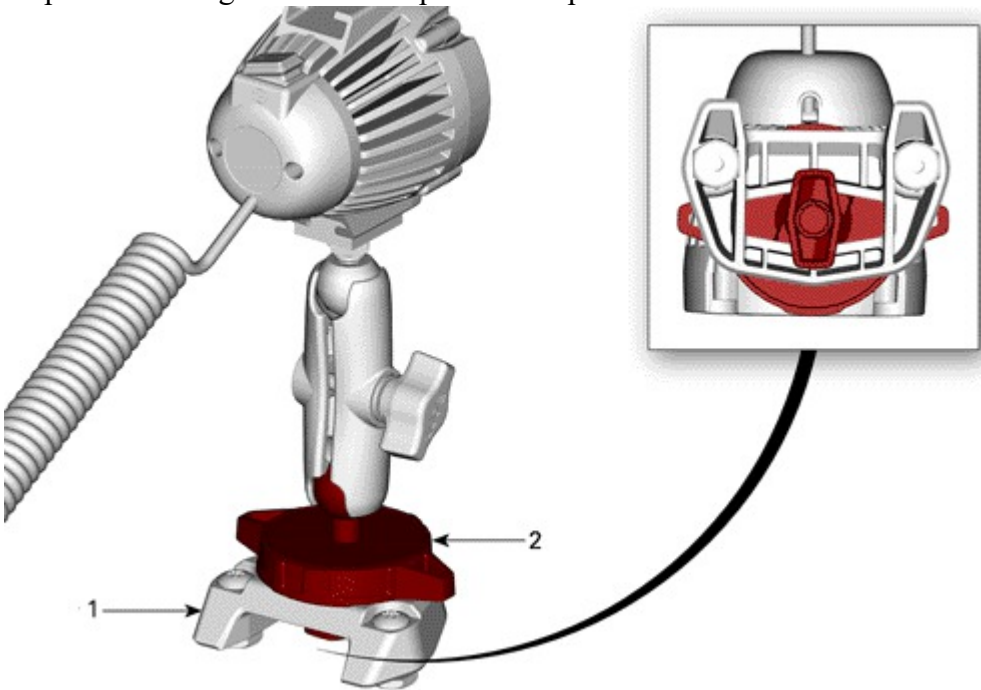
3. Ball mount [P2]

2. Install light on desired LinQ base and make sure LinQ is locked. Insert light in LinQ base and rotate clockwise until it hits the mechanical stop. See Figures below.



Step 1.: Insert light in LinQ base

Step 2.: Rotate light clockwise up to end stop



view from under linq base

1. LinQ base

2. Ball mount [P2]

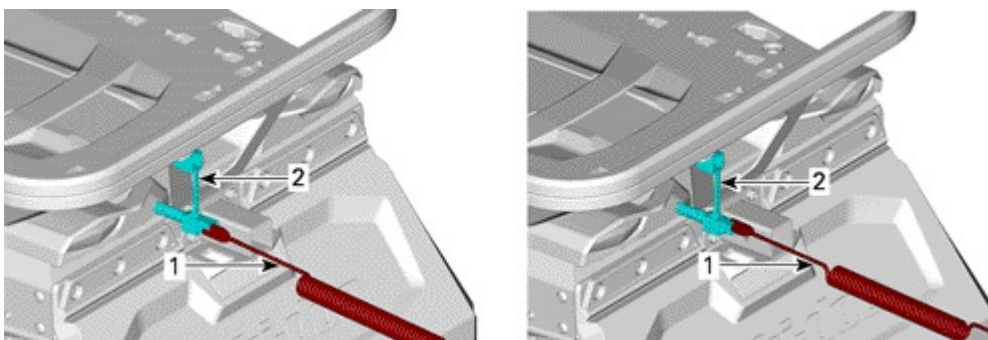
3. Adjust light position by hand and tighten knob of arm [P3] when final adjustment is done.

NOTICE Ensure knob of arm is properly tightened before moving vehicle.

Vehicle with multi-mount plate

4. Connect LED light harness [P1] to rear accessories wiring harness provided in 12-Volts Plus for LinQ Multi-Mount Plate Kit (P/N 860201888).

NOTE: LED light harness connector can be connected in both directions and will work either way.

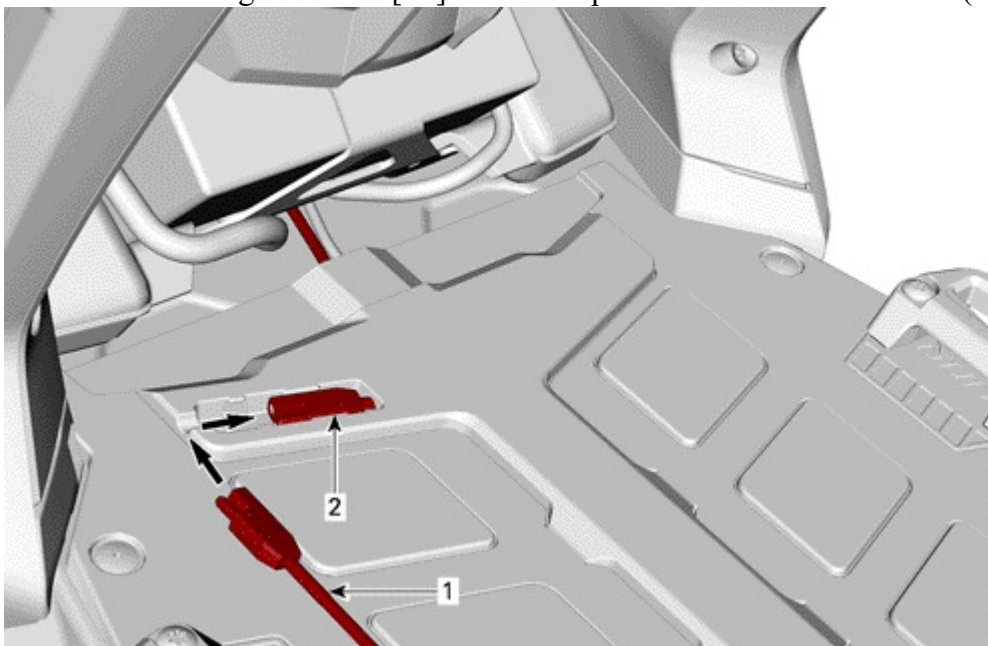


1. LED Light harness [P1]

2. Rear accessories wiring harness provided in kit (P/N 860201888)

Vehicle without multi-mount plate

5. Connect LED light harness [P1] to harness provided in 12V Outlet Kit (P/N 860202069).



1. LED Light harness [P1]

2. Harness provided in kit (P/N 860202069)

All models

6. Secure coiled wire by wrapping it around the light.

7. Check if the light is working properly.

NOTE: Unit needs to have the engine running to supply power to the light.